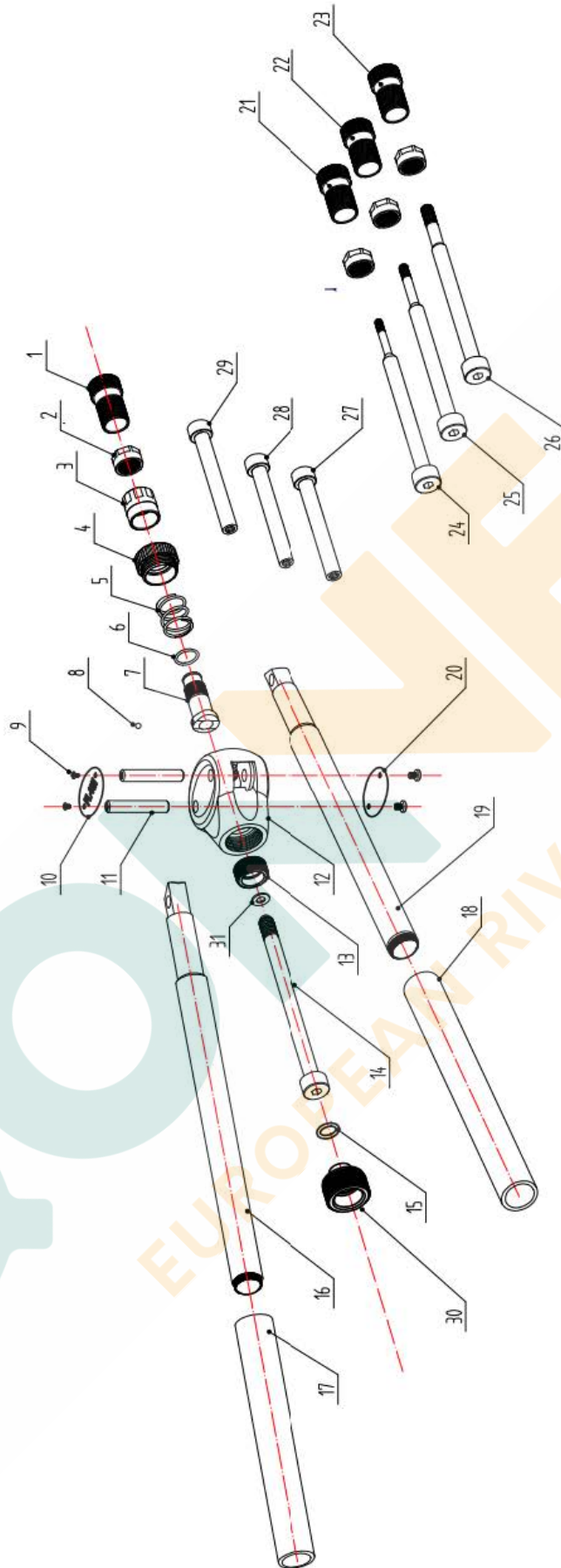


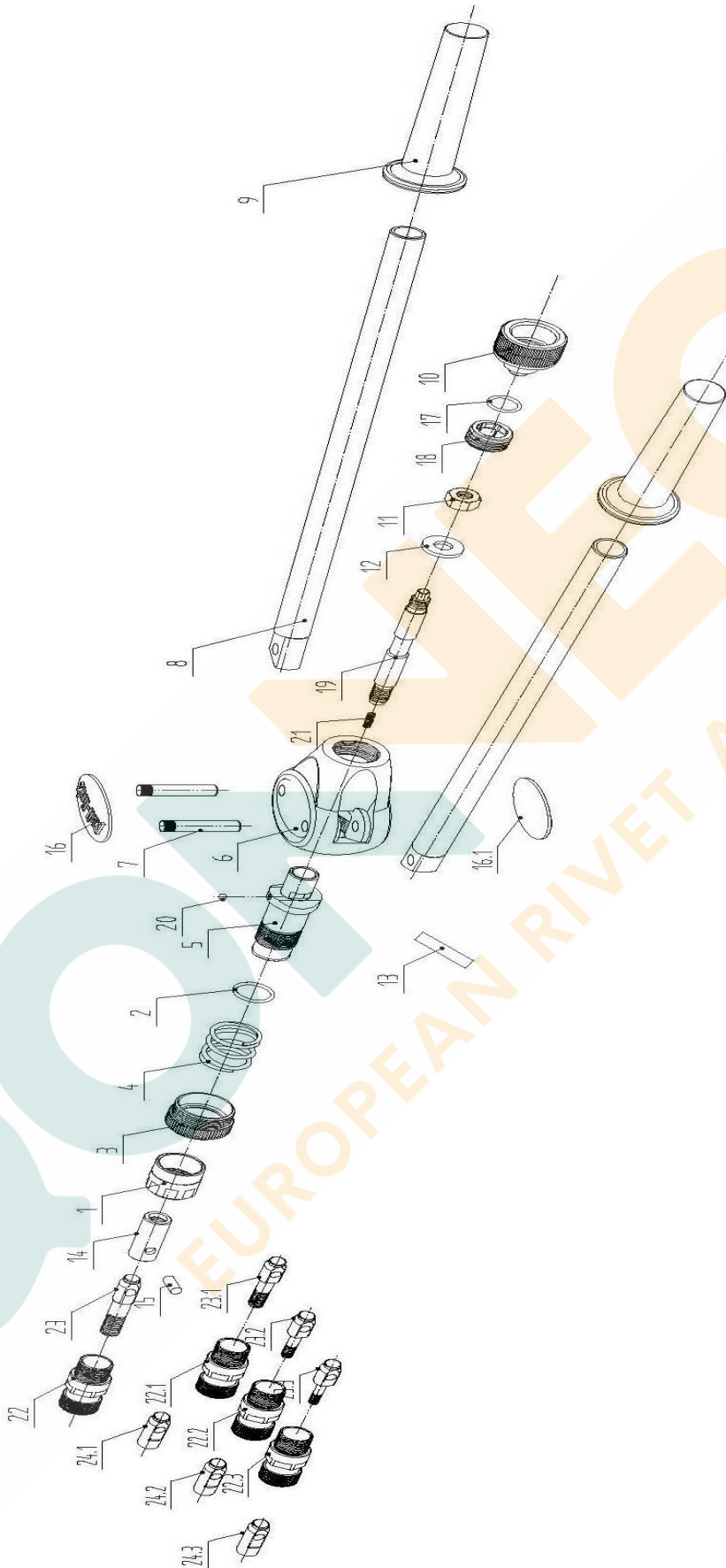


POS. ID	ITEM CODE	DESCRIPTION	Qty
1	04Z20015	Anvil M10	1
2	04L21095	Couthernut	4
3	04L21077	Stroke adjust nut	1
4	04L20152	Push pedestal	1
5	04L20153	Push	1
6	04F60364	O-ring	1
7	04Z20951	Main pusher assemblby	1
8	04F00102	Steel ball	1
9	04L21636	Screw	4
10	04L20469	Type sign	1
11	04L22253	Bolt	2
12	04L22252	Body	1
13	04L20803	Spindle pedestal	1
14	04L20156	Mandrel M10	1
15	04F60166	O-ring	1
16	04Z20954	Lever assembly(red cover)	1
17	04L22264	Red grip	1
18	04L22258	Black grip	1
19	04Z20952	Lever assembly(black cover)	1
20	04L20468	Logo plate	1
21	04Z20018	Anvil M5	1
22	04Z20017	Anvil M6	1
23	04Z20016	Anvil M8	1
24	04L20157	Mandrel M8	1
25	04L20158	Mandrel M6	1
26	04L20159	Mandrel M5	1
27	04L21006	Rivetbolt puller M8	1
28	04L21007	Rivetbolt puller M6	1
29	04L21008	Rivetbolt puller M5	1
30	04Z20111	Knob assembly	1
31	04L20166	Puller washer	1





POS. ID	ITEM CODE	DESCRIPTION	Qty
1	04L21077	Stroke adjust nut	1
2	04F60364	O-ring	1
3	04L20152	Push Pedestal	1
4	04L20153	Push	1
5	04Z20173	Set of Main pushers	1
6	04L21080	Body	1
7	04L00006	Bolt	2
8	04Z20154	Levers	2
9	04L20164	Grips	2
10	04Z40120	Spiral assembly	1
11	04L21365	Hex sleeve	1
12	04L21082	Puller washer	1
13	04L20906	Scale	1
14	04L21083	Connecting cover	1
15	04L21084	Connecting pin	1
16	04L20952	Logo Plate	1
16.1	04L21051	Logo	1
17	04F60166	O-ring 13.2x2.65	1
18	04L20803	Spindle pedestal	1
19	04L21085	Puller	1
20	04F00102	Ball dia. 4.0	1
21	04L21366	Spring	1
22	04Z20166	Anvil M10	1
22.1	04Z20165	Anvil M8	1
22.2	04Z20164	Anvil M6	1
22.3	04Z20163	Anvil M5	1
23	04L21093	Drawing Mandrel M10	1
23.1	04L21092	Drawing Mandrel M8	1
23.2	04L21091	Drawing Mandrel M6	1
23.3	04L21090	Drawing Mandrel M5	1
24.1	04L21074	Rivbolt puller M8	1
24.2	04L21073	Rivbolt puller M6	1
24.3	04L21072	Rivbolt puller M5	1



QONNECT  
EUROPEAN RIVET ASSOCIATION