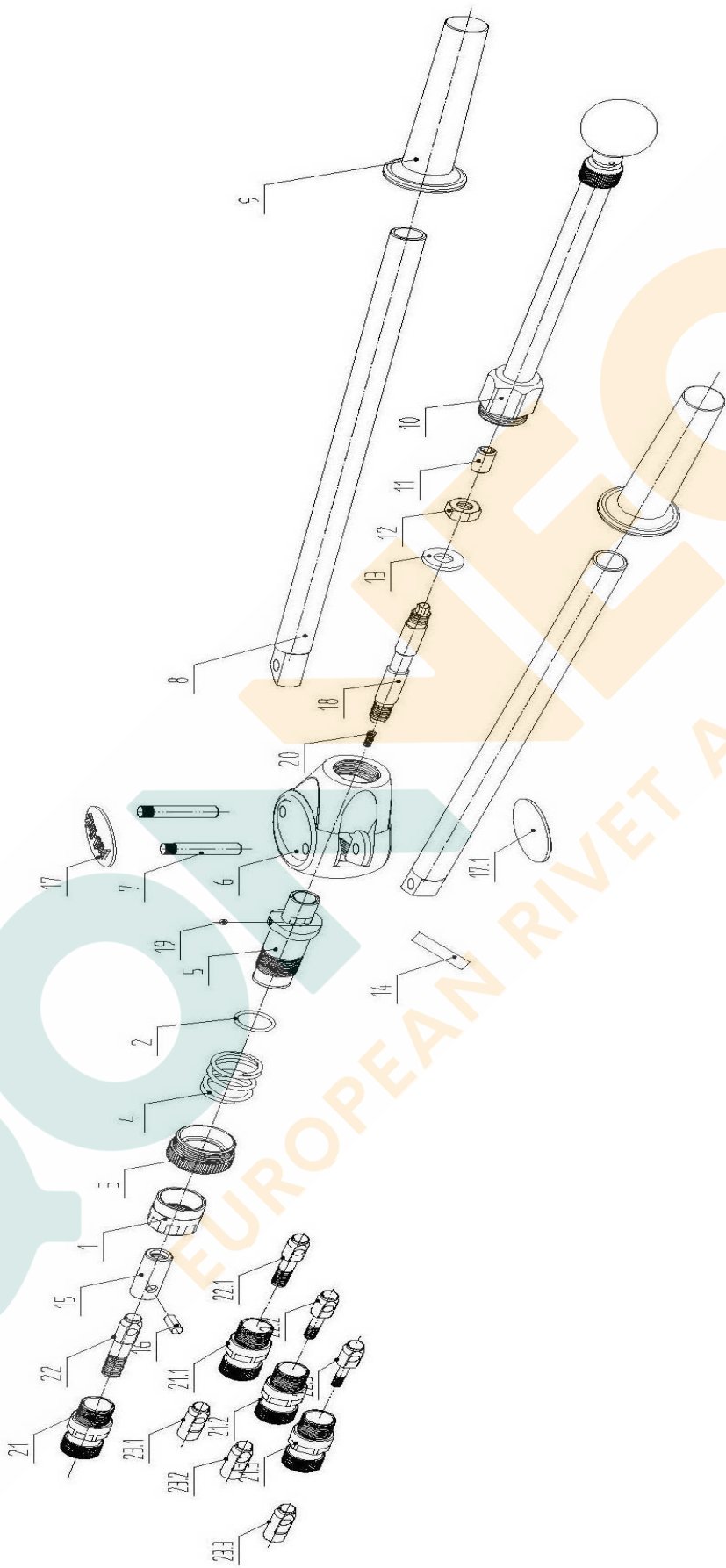




POS. ID	ITEM CODE	DESCRIPTION	Qty
1	04L21077	Stroke adjust nut	1
2	04F60364	O-ring	1
3	04L20152	Push Pedestal	1
4	04L20153	Push	1
5	04Z20173	Set of Main pushers	1
6	04L21080	Body	1
7	04L00006	Bolt	2
8	04Z20154	Levers	2
9	04L20164	Grips	2
10	04Z20168	Spiral system	1
11	04L20883	Hex. Sleeve	1
12	04L21365	Hex-nut M10	1
13	04L21082	Puller washer	1
14	04L20906	Scale	1
15	04L21083	Connecting cover	1
16	04L21084	Connecting pin	1
17	04L20952	Logo Plate	1
17.1	04L20953	Logo	1
18	04L21085	Puller	1
19	04F00102	Ball dia. 4.0	1
20	04L21366	Spring	1
21	04Z20166	Anvil M10	1
21.1	04Z20165	Anvil M8	1
21.2	04Z20164	Anvil M6	1
21.3	04Z20163	Anvil M5	1
22	04L21093	Drawing Mandrel M10	1
22.1	04L21092	Drawing Mandrel M8	1
22.2	04L21091	Drawing Mandrel M6	1
22.3	04L21090	Drawing Mandrel M5	1
23.1	04L21074	Rivbolt puller M8	1
23.2	04L21073	Rivbolt puller M6	1
23.3	04L21072	Rivbolt puller M5	1



QONNECT
EUROPEAN RIVET ASSOCIATION