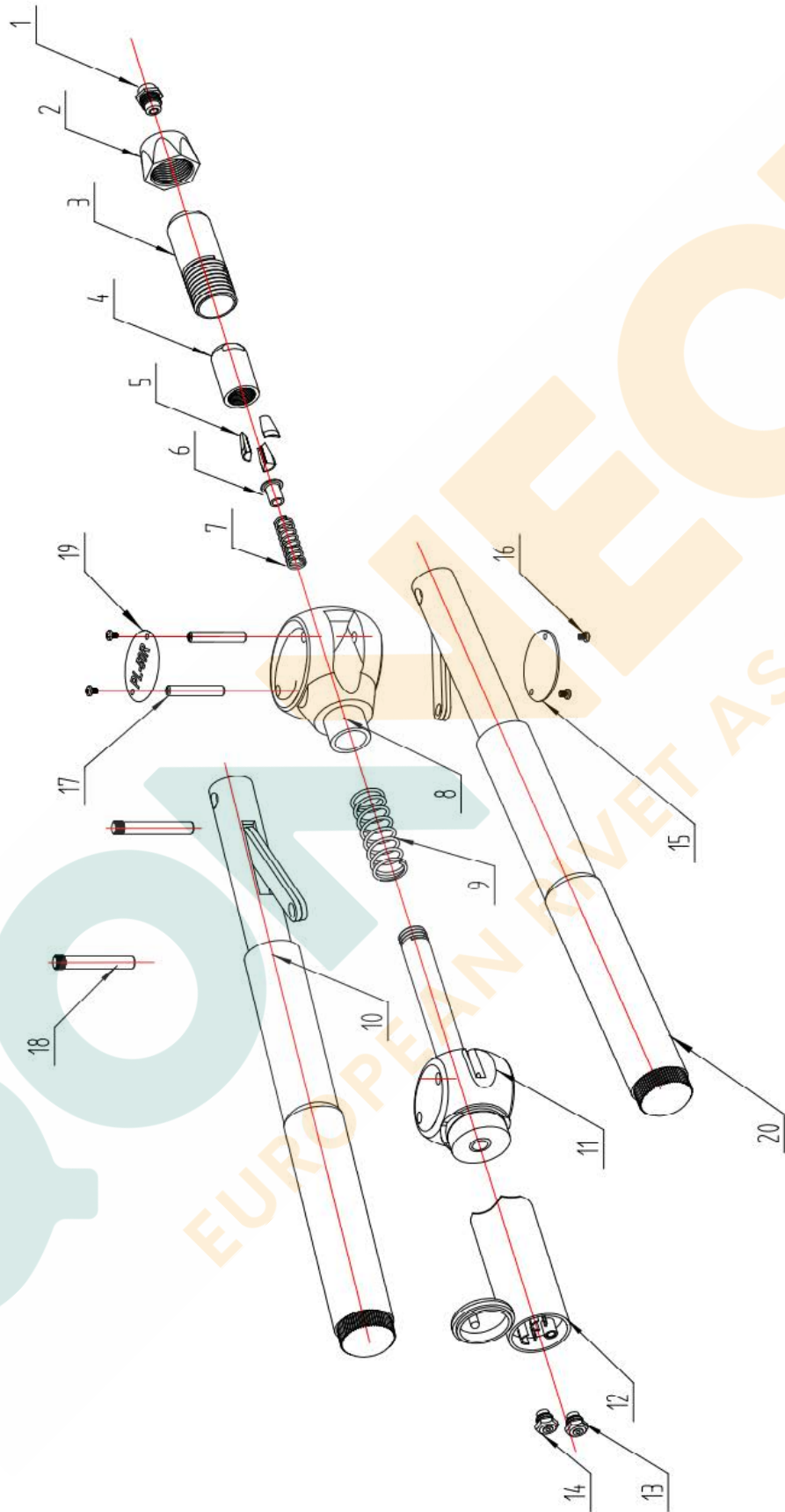




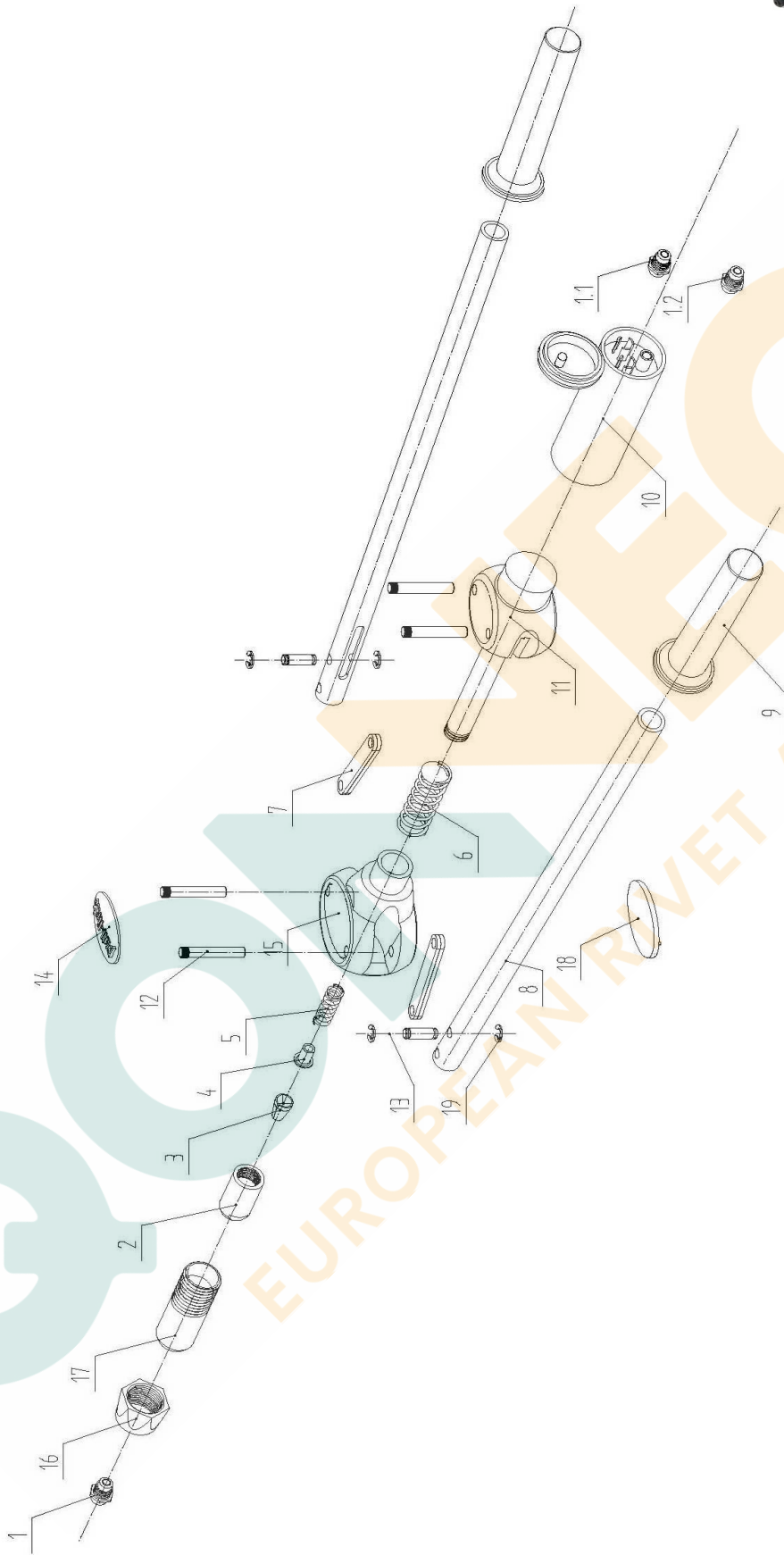
POS. ID	ITEM CODE	DESCRIPTION	Qty
1	04L40103	Nosepiece D	1
2	04L21111	Adjust nut	1
3	04Z20179	Front sleeve assembly	1
4	04L60608	Clamping sleeve	1
5	04Z40102	3-jaws set	1
6	04L21254	Push pin	1
7	04L21170	Nosepiece spring	1
8	04L20499	Body	1
9	04L21101	Spring	1
10	04Z20103	Red lever assembly	1
11	04Z20094	Rear body	1
12	04L20498	Mandrel collector	1
13	04L40104	Nosepiece C	1
14	04L40105	Nosepiece B	1
15	04L20524	Logo plate	1
16	04F60497	Sign screw	4
17	04L20500	Pin	2
18	04L21107	Pin	2
19	04L20525	Type sign	1
20	04Z20104	Black lever assembly	1







POS. ID	ITEM CODE	DESCRIPTION	Qty
1	04L00020	Nosepiece D (4.8)	1
1,1	04L00019	Nosepiece C (4.0)	1
1,2	04L00018	Nosepiece B (3.2)	1
2	04L60608	Clamping sleeve	1
3	04Z40102	Jaws set - 3	1
4	04L21254	Push pin	1
5	04L21170	Spring 39x9.4x1	1
6	04L21101	Spring 48.7x17.5x1.6	1
7	04L21102	Lever plate	4
8	04L21103	Lever	2
9	04L20133	Grips	2
10	04L21104	Mandrel collector	1
11	04Z20171	Rear body	1
12	04L21107	Pin	4
13	04L21172	Lever bolt	2
14	04L21152	Logo plate	1
15	04L21110	Body	1
16	04L21111	Adjust nut	1
17	04Z20172	Front sleeve assembly	1
18	04L21153	Logo	1
19	04F00089	Retaining ring	4



QONNECT  
EUROPEAN RIVET ASSOCIATION