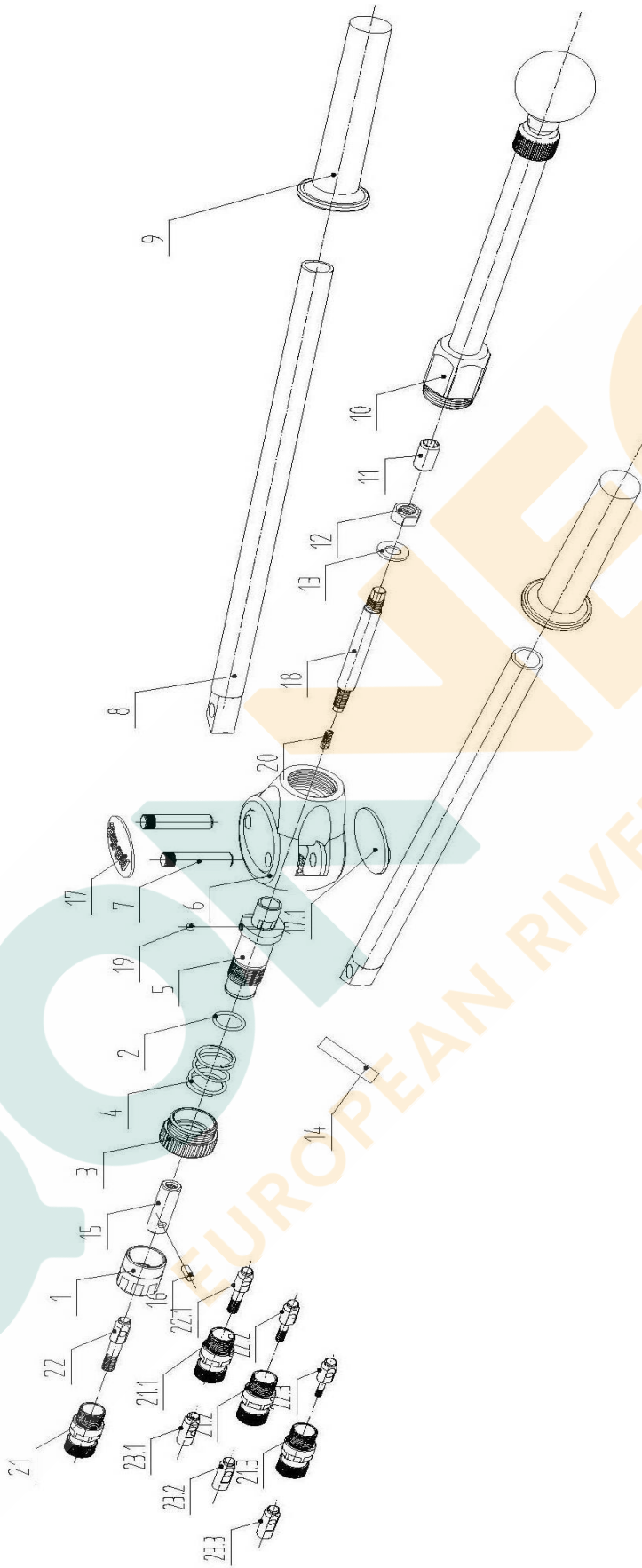




POS. ID	ITEM CODE	DESCRIPTION	Qty
1	04L20874	Stroke adjust nut	1
2	04F60018	O-ring	1
3	04L20122	Push pedestal	1
4	04L20875	Push	1
5	04Z20119	Set of Main pushers	1
6	04L20878	Body	1
7	04L20702	Bolt	2
8	04Z20009	Levers	2
9	04L20133	Grips	2
10	04Z20117	Spindle unit	1
11	04L20883	Hex. Sleeve	1
12	04L21367	Hex-nut M8	1
13	04L20884	Rod gasket	1
14	04L20709	Scale	1
15	04L20885	Connecting cover	1
16	04L20886	Connecting pin	1
17	04L20752	Logo plate	1
17,1	04L20753	Sign of type (logo)	1
18	04L20887	Puller	1
19	04F00102	Steel ball dia. 4.0	1
20	04L21366	Spring	1
21	04Z20115	Anvil M6	1
21,1	04Z20114	Anvil M5	1
21,2	04Z20113	Anvil M4	1
21,3	04Z20112	Anvil M3	1
22	04L20892	Drawing mandrel M6	1
22,1	04L20891	Drawing mandrel M5	1
22,2	04L20890	Drawing mandrel M4	1
22,3	04L20889	Drawing mandrel M3	1
23,1	04L20872	Rivbolt puller M6	1
23,2	04L20871	Rivbolt puller M5	1
23,3	04L20870	Rivbolt puller M4	1



QONNECT
EUROPEAN RIVET ASSOCIATION